

IMPLEMENTATION OF COMPACT SWITCHING POWER SUPPLY WITH HIGH POWER FACTOR

Marko Dimitrijević, Vančo Litovski

Faculty of Electronic Engineering, University of Niš, Aleksandra Medvedeva 14, 18000 Niš, Serbia, phone: +381 18 529321, e-mail: {marko,vanco}@elfak.ni.ac.yu

In this paper we will present a power supply – three phase AC/DC converter – with special requirements for power factor and dimensions. Development of such compact devices – up to 8cm^3 – provides possibility for mass production of electronic subsystems intended to be implemented within the low voltage grid, reducing emission of higher harmonics (up to 40th) in the power grid and achieving maximal efficiency. Indirectly, this concept enables control of electric energy consumption of small loads. Development of power supply following these characteristics is significant for all producers of electronic equipment compatible with IEC-1000-3 standard.

Keywords: power supply, power factor

1. INTRODUCTION

Special requirements are related to power factor. The industry standards regulate the limits (minimum) of power factor. Switched-mode power supply (SMPS) with passive power factor correction (PFC) can achieve power factor of about 0.7 – 0.75, SMPS with active PFC – up to 0.99, while SMPS without any PFC has power factor of about 0.55 – 0.65 at the best. The current EU standard EN61000-3-2 appoints that all SMPS-es with output power more than 75W must include at least passive power factor correction.

The other requirements for power supply are nominal output voltage 5V, output current 400mA, three phase operation, input voltage range $90V_{\text{RMS}}-240V_{\text{RMS}}$, possibility of only one phase operation, overvoltage protection and galvanic isolation. We will also consider development of the integrated circuit for power factor correction that will be mounted in SMPS with active power correction.

2. IMPLEMENTATION AND ELECTRICAL PROPERTIES

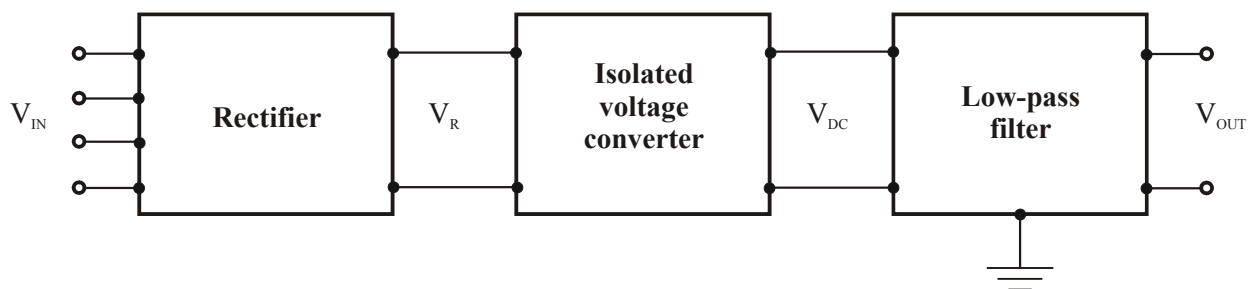


Fig. 1 Power supply scheme

Power supply consists of three stages: three-phase full-wave rectifier, isolated voltage converter and output low-pass filter (Fig. 1).

The three-phase full-wave rectifier (Fig. 2) is implemented using high-voltage 1N4007 diodes D_1 - D_{16} . The number of diodes is doubled to increase maximum input voltage. The neutral is connected symmetrically to phases, providing possibility of one phase operation, as well as normal operation with wrong neutral/phase connection. Rectified voltage V_R is limited to circa $400V_{DC}$ by diodes D_{21} , D_{22} (BZY97C200) and transistor Q_1 (KSA1625).

Basically, there are several types of switched-mode power supplies that can be classified according to the circuit topology. Following the given requirements, the isolated flyback convertor (Fig. 2) concept is used [1].

Flyback converter is based on TNY267P integrated circuit (U_1 on Fig. 2): a power MOSFET, oscillator, a high voltage switched current source, current limit and thermal shutdown circuitry are integrated onto a monolithic device. The start-up and operating power are derived directly from the voltage on the MOSFET drain, eliminating the need for a bias winding and associated circuitry. This device also includes auto-restart, line undervoltage sense, and frequency jittering. The integrated auto-restart circuit safely limits output power during fault conditions such as output short circuit or open loop, reducing component count and secondary feedback circuitry cost. A line sense resistor R_8 ($1.5M\Omega$) externally programs a line undervoltage threshold, which eliminates power down glitches caused by the slow discharge of input capacitor C_2 ($4.7\mu F$, $450V$). The operating frequency of $132kHz$ is jittered to significantly reduce both the quasi-peak and average electromagnetic interference, minimizing filtering cost. The integrated circuit breakdown voltage is $700V$.

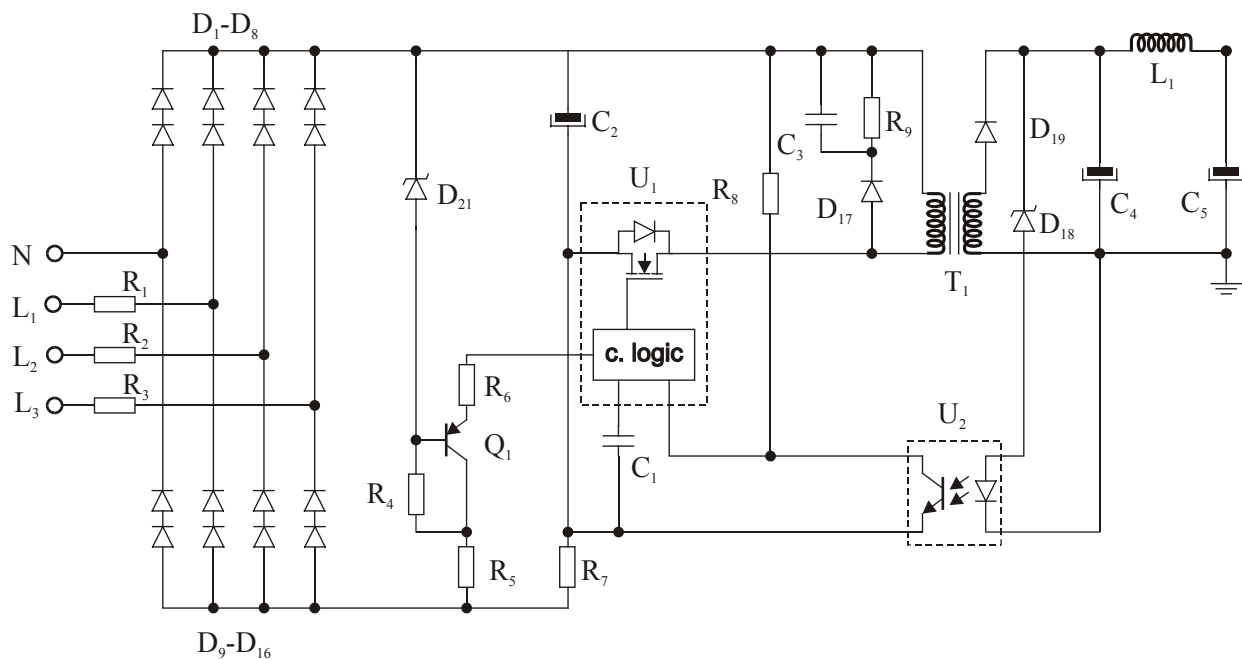


Fig. 2 Complete power supply circuit

C_1 ($0.1\mu\text{F}$, 25V) is external bypass capacitor for the internally generated 5.8V supply. Additional circuit protection is performed by diode D_{17} , connected to C_3 , R_9 .

During normal operation, switching of the power MOSFET is controlled by voltage driven from optocoupler U_2 (L817B). MOSFET switching is terminated when the collector current is greater than $240\mu\text{A}$. Full galvanic isolation is achieved using optocoupler U_2 and transformer T_1 .

The low-pass output filter is implemented using capacitors C_5 , C_6 ($220\mu\text{F}$) and inductivity L_1 ($150\mu\text{H}$).

3. MEASUREMENT INSTRUMENTATION

The measurement of power factor and distortion usually requires special equipment. For example, a classical ampermeter will return incorrect results when attempting to measure the AC current drawn by a non-linear load and then calculate the power factor. A true RMS multimeter must be used to measure the actual RMS currents and voltages and apparent power. To measure the real power or reactive power, a wattmeter designed to properly work with non-sinusoidal currents must be also used.

Computer-based acquisition modules and software provide possibility of creation of simple and non-expensive methods and virtual instruments for power factor measurement and distortion characterization up to 40th harmonic of small loads and bring all advantages of virtual instrumentation [2,3]. Fig. 3 shows virtual instrument implemented in LabVIEW developing environment, which is used for distortion characterization and power factor measurements.

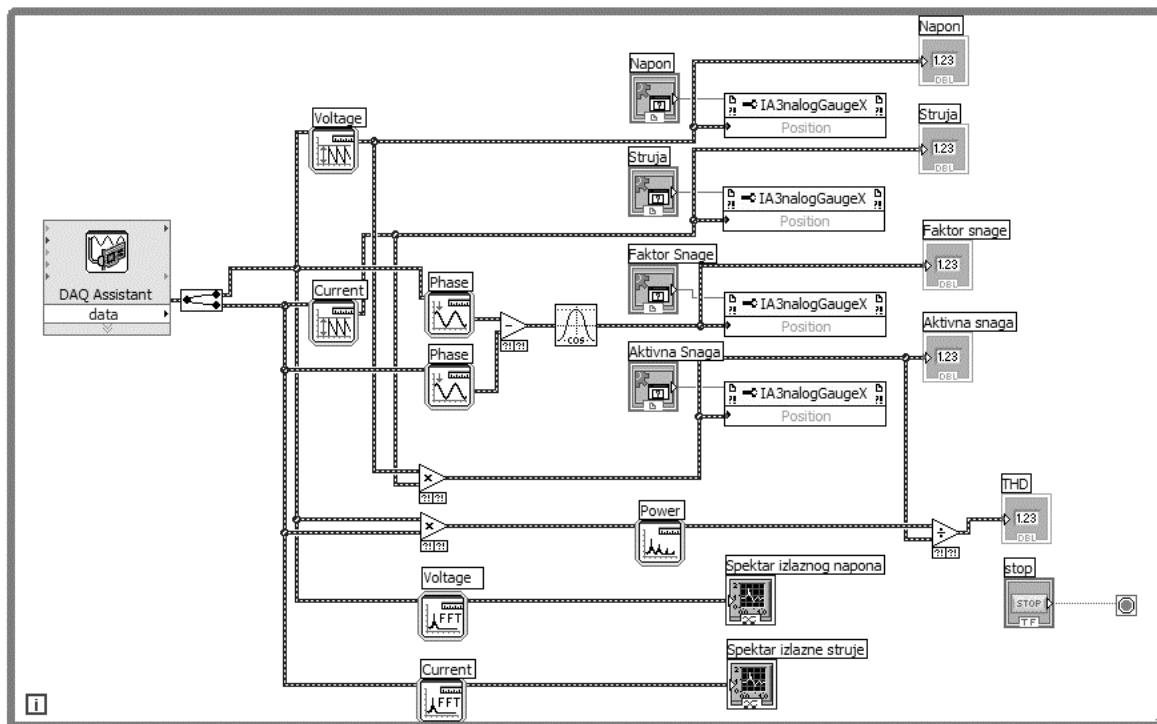


Fig. 3 Virtual instrument for power factor measurements

Data acquisition is performed using an acquisition module. The system for power factor and distortion measurement is based on National Instruments NI USB-9215A acquisition module (DAQ). The data acquisition module has four channels of simultaneously sampled voltage inputs with 16-bit accuracy, 100kSmpl per channel sampling rate and 250V_{RMS} channel-to-earth isolation, adequate for voltage measurements up to 40th harmonic (2kHz). It also provides portability and hot-plug connectivity via USB interface.

4. CONCLUSION

The preliminary results show that power factor and distortions of given power supply concept satisfy the requirements and IEC-1000-3 standard. The measurements are performed for one phase operation.

Table 1 shows measured output voltage and current dependences of input AC voltage.

Startup AC voltage V_{in} [V _{RMS}]	Input AC current I_{in} [mA _{RMS}]	Output DC voltage V_{out} [V]	Output DC current I_{out} [mA]
80	9.5	5.8	50
85	28.5	5.7	170
85 - 200	28.5 - 10.3	5.7	170

Table 1 Output voltage dependences of input voltage

With continual change of input AC voltage from 85V_{RMS} to 200V_{RMS} and output current 170mA, output DC voltage is constant and equal to 5.7V.

Table 2 shows output DC voltage dependences of load, maintaining input AC voltage on 200V_{RMS}.

Output DC current I_{out} [mA]	Input AC current I_{in} [mA _{RMS}]	Output DC voltage V_{out} [V]
50	3.7	5.8
170	10.3	5.7
340	19.5	5.65
460	26.1	5.55

Table 2 Output voltage dependences of load (output current)

5. REFERENCES

- [1] Dokić, B.: Power Electronics– transducers and regulators, Akademska misao, Belgrade, 2007, (in serbian).
- [2] Dimitrijević, M., Savić, M., Litovski, V.: A system for power factor and distortion measurement, Proc. of the INDEL 2006 Conference, pp. 168-171, Banja Luka, Bosnia and Hercegovina (in serbian).
- [3] Dimitrijević, M., Litovski, V.: *Power Factor and Distortion Measuring for Small Loads Using USB Acquisition Module*, Proc. of REV2006 Conference, Maribor, Slovenia